

QUADRO IP65



ADVANCED



FEATURES

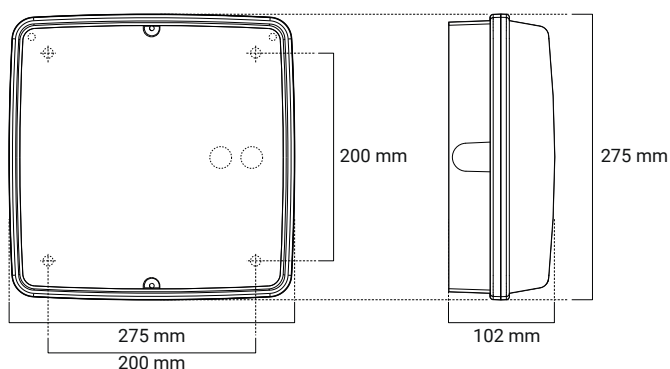
- Fully compliant (**AS/NZS 2293**)
- Inbuilt Microwave **Sensor** model available
- Selectable power consumption: **17** or **27 W**
- Emergency and non-emergency models available
- High Quality Lithium batteries (**LiFePO₄**) and smart charger

D50 CLASSIFICATION
Light coverage for
emergency light

CORRIDOR MODE
Hold lights at a min level
when no motion is detected

TRI TRI-COLOR
Selectable colour
temperature

DURABLE
IP65 and IK08 rated, for
demanding environments



PRODUCT RANGE

ORDER CODE	PRODUCT NUMBER	SKU	QTY
EV-QUADRO-ADV Advanced Quadro Bunker IP65	9336462145203	14520	5
EV-QUADRO-ADV-EM Advanced Quadro Bunker IP65 Emergency	9336462145210	14521	5
EV-QUADRO-ADV-S Advanced Quadro Bunker IP65 with Sensor	9336462145227	14522	5
EV-QUADRO-ADV-EM-S Advanced Quadro Bunker IP65 Emergency with Sensor	9336462145234	14523	5

GENERAL FEATURES

- Tri-colour selection
- Vandalproof IK08 rating
- IP65 weatherproof rating
- Emergency and non-emergency models
- Selectable power consumption: 17 or 27W

EMERGENCY MODELS (-EM)

- Fully compliant (AS/NZS 2293.3)
- High Quality Lithium battery (LiFePO₄) and smart charger

SENSOR MODELS (-S)

- Inbuilt Microwave sensor
- Corridor mode

BUILT TO LAST

- Long life electronics
- 7 Years Design Life – 60,000 hours at max. ambient

SUITABLE INSTALLATION TYPES (OUT OF THE BOX)

- Standalone (SPU)

SPACING TABLE (D50 - 0.2 LUX) 2005

MOUNTING HEIGHT (M)							
2.1	2.4	2.7	3	3.3	3.6	4	4.5
18.0	18.7	19.4	20.1	20.7	21.2	21.8	22.5
5	6	7	8	9	10	15	20
23.2	24.2	24.9	25.4	25.7	25.9	23.7	15.2

OPERATIONAL INFORMATION

GENERAL

Voltage	240V~ 50Hz
Ambient temp.	0 to 40°C
Class	2
Wiring	Terminal block (1-16 mm □)
Mounting type	Surface
IP rating	IP65
IK rating	IK08
CRI	80
Lamp power	17 / 27 W (selectable)

EMERGENCY

Emergency lamp power	2.7 W		
Rated duration	90 / 120 min	Classification	D50

COLOUR TEMP. LUMENS 27W LUMENS 17 W

3000K	> 2700 lm	> 1700 lm
4000K	> 3000 lm	> 1900 lm
6000K	> 2900 lm	> 1800 lm

BATTERY CHARGE

Type	LiFePO ₄	Type	Smart charge
Voltage	6.4 V	Time	16 Hours
Codes	01302	Operation	Multi-state

CONSTRUCTION

Diffuser	PC Prismatic, clear	Body	PC
Gear tray	Powder coated steel		

COMPLIANCE

Standards	AS/NZS 60598.2.22	IEC 60598-2-22
	AS/NZS 2293.3	AS CISPR 15

NOTE: For more information on the chemical resistance of our polycarbonate or our compliance documentation, please see our website.

ACCESSORY RANGE

ORDER CODE	DESCRIPTION
EV-1500MAH-6.4V-LIFEP04	1500mAh 6.4V 2 Cell LiFePO ₄ Battery