

PEARL IP65 LITE



ADVANCED



BLACK MODEL
AVAILABLE

FEATURES

- Fully compliant (**AS/NZS 2293**)
- Emergency and non-emergency models
- Works as Single Point Units (**SPU**) out of the box
- High Quality Lithium batteries (**LiFePO₄**) and smart charger

D25 CLASSIFICATION

Light coverage for
emergency light



CORRIDOR MODE

Hold lights at a min level
when no motion is detected



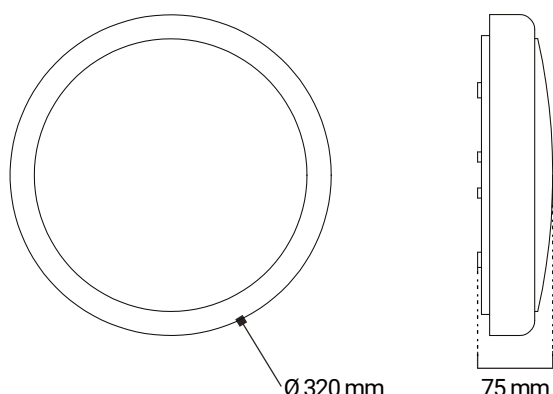
TRI-COLOR

Selectable colour
temperature



WEATHERPROOF

IP65 and insect resistant
twist and lock system



PRODUCT RANGE

ORDER CODE	PRODUCT NUMBER	SKU	QTY
EV-5709-EM-IP65-LITE-W Lite Pearl Circular IP65 Emergency, Tri-Colour, White	9336462179154	17915	8
EV-5709-EM-IP65-LITE-B Lite Pearl Circular IP65 Emergency, Tri-Colour, Black	9336462177679	17767	8
AT5709/WH/TRI/CF 14W Polycarbonate LED bunker Tri-Colour with corridor function, White	9336462130155	13015	8
AT5709/BLK/TRI/CF 14W Polycarbonate LED bunker Tri-Colour with corridor function, Black	9336462160381	16038	8
AT5709/WH/TRI 14W Polycarbonate LED bunker Tri-Colour, White	9336462160510	16051	8
AT5709/BLK/TRI 14W Polycarbonate LED bunker Tri-Colour, Black	9336462111819	11181	8

GENERAL FEATURES

- Tri-colour selection
- Emergency and non-emergency models

EMERGENCY MODELS (-EM)

- Fully compliant (AS/NZS 2293.3)
- High Quality Lithium battery (LiFePO₄) and smart charger

SENSOR MODELS

- Inbuilt Microwave sensor
- Corridor function

BUILT TO LAST

- Long life electronics
- 7 Years Design Life – 60,000 hours at max. ambient

SUITABLE INSTALLATION TYPES (OUT OF THE BOX)

- Standalone (SPU)

ACCESSORY RANGE

ORDER CODE	DESCRIPTION
EV-1500MAH-6.4V-LIFEPO4	1500mAh 6.4V 2 Cell LiFePO ₄ Battery

OPERATIONAL INFORMATION

GENERAL			
Voltage	240V~ 50Hz		
Ambient temp.	0 to 40°C		
Class	1		
IP rating	IP65		
Wiring	Terminal block		
Mounting type	Surface		
Lamp power	14 W		
LIGHT COLOUR	COLOUR TEMP.	LUMENS	
Warm White	3000K	1265 lm	
Daylight	4000K	1395 lm	
Cool White	5000K	1305 lm	
EMERGENCY			
Rated duration	90 / 120 min		
Classification	D25 (2hr)		
BATTERY		CHARGE	
Type	LiFePO ₄	Type	Smart charge
Voltage	6.4 V	Time	16 Hours
Codes	01302		
CONSTRUCTION			
Body	PC	Diffuser	Opal
COMPLIANCE			
Standards	AS 60598.2.22 AS/NZS 2293.3	IEC 60598-2-22 CISPR 15	

NOTE: For more information on the chemical resistance of our polycarbonate or our compliance documentation, please see our website.

TOTAL POWER CONSUMPTION (TPC)

LAMP ON		LAMP OFF	
MAX.	AVG.	MAX.	AVG.
19 W	16 W	3.5 W	0.6 W

NOTE: Average power consumption calculated with the assumption of four emergency events per year and that the battery charger is in standby at all other times (above typical usage).

SPACING TABLE (D25 - 0.2 LUX)

2018

MOUNTING HEIGHT (M)							
2.1	2.4	2.7	3	3.3	3.6	4	4.5
11.5	13.2	14.8	15.7	16.1	16.4	16.8	17.3
5	6	7	8	9	10	15	20
17.6	18.1	18.3	18.2	17.8	17.2	0.04	N/A

ektor.com.au

E: sales@evolt.com.au

P: 1300 4EVOLT (438 658)

evolt
the electrical evolution

Ektor is dedicated to continuous product improvement. Datasheet is subject to change without notice, E&OE. Images are for illustrative purposes only.