

# PEARL IP65 PRO



PROFESSIONAL



## FEATURES

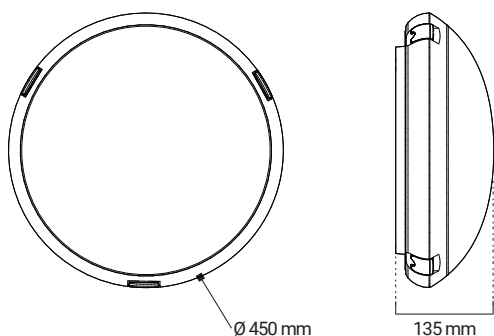
- Power monitoring (**DT51**)
- Fully compliant (**AS/NZS 2293**)
- Corridor mode function available
- Commission the product to perform self-tests
- Emergency and non-emergency models available
- High Quality Lithium batteries (**LiFePO<sub>4</sub>**) and smart charger

**D32 CLASSIFICATION**  
Light coverage for  
emergency light

**TW TUNEABLE WHITE**  
Tuneable white (DT8-Tc)  
controlled by DALI

**SENSOR**  
Inbuilt microwave & light sensor,  
suitable for DALI-2 controls

**DIMMABLE**  
Flicker-free dimming  
controlled by DALI



## PRODUCT RANGE

ORDER CODE	PRODUCT NUMBER	SKU	QTY
<b>EV-PEARL-PRO-IP65</b> Pro Pearl Circular IP65	9336462119617	11961	4
<b>EV-PEARL-PRO-IP65-S</b> Pro Pearl Circular IP65 with Sensor	9336462119624	11962	4
<b>EV-PEARL-PRO-IP65-EM</b> Pro Pearl Circular IP65 Emergency	9336462119631	11963	4
<b>EV-PEARL-PRO-IP65-EM-S</b> Pro Pearl Circular IP65 Emergency with Sensor	9336462119648	11964	4

### GENERAL FEATURES

- IP65 weatherproof rating
- Vandal-proof IK08 rating
- Power monitoring (DT51)
- Tuneable white (DT8-Tc) controlled by DALI
- Flicker-free dimming controlled by DALI
- Emergency and non-emergency models

### EMERGENCY MODELS (-EM)

- Fully compliant (AS/NZS 2293.3)
- Soft-start charger to reduce building load
- High Quality Lithium battery (LiFePO<sub>4</sub>) and smart charger

### SENSOR MODELS (-S)

- Microwave sensor suitable for DALI-2 supporting IEC 62386-303
- Light level sensor suitable for DALI-2 supporting IEC 62386-304
- IR remote controllable, custom configurations
- Corridor mode function in standalone operation

### BUILT TO LAST

- Long life electronics
- 10 Years Design Life – 100,000 hours at max. ambient

### SUITABLE INSTALLATION TYPES (OUT OF THE BOX)

- Standalone (SPU)
- Self test (AS2293/IEC62034)
- DALI (IEC62386)
- Ektor wired monitored system

## OPERATIONAL INFORMATION

### GENERAL

Voltage	240V~ 50Hz		
Ambient temp.	0 to 40°C		
Class	2		
Mounting type	Surface		
IP rating	IP65	IK rating	IK08
Wiring	Terminal block (1-16 mm □)		
Lamp power	25 W	Lumens	2500lm
Colour Temp.	3000 K to 6000 K		

### EMERGENCY

Em. lamp power	1.5 W		
Rated duration	90 / 120 min	Classification	D32

### BATTERY

BATTERY		CHARGE	
Type	LiFePO <sub>4</sub>	Type	Smart charge
Voltage	6.4 V	Time	16 Hours
Codes	01302	Operation	Multi-state

### CONSTRUCTION

Body	PC	Diffuser	PC
Gear tray	Powder coated steel		

### COMPLIANCE

Standards	AS/NZS 60598.2.22	IEC 62386-102	IEC 62386-103
	AS/NZS 2293.3	IEC 62386-202	IEC 62386-303
	IEC 60598-2-22	IEC 62386-207	IEC 62386-304
	IEC 62034	IEC 62386-209	
	CISPR 15	IEC 62386-252	

**NOTE:** For more information on the chemical resistance of our polycarbonate or our compliance documentation, please see our website.

## ACCESSORY RANGE

ORDER CODE	DESCRIPTION
<b>EV-1500MAH-6.4V-LIFEP04</b>	1500mAh 6.4V 2 Cell LiFePO <sub>4</sub> Battery