

QUADRO IP65



LYNK



Last updated: 11 November 2020_V2.0

EV-QUADRO-PRO-S-LK

EV-QUADRO-PRO-LK

EV-QUADRO-EM-PRO-S-LK

EV-QUADRO-EM-PRO-LK

FEATURES

- Power monitoring (**DT51**)
- Fully compliant (**AS/NZS 2293**)
- Commission the product to perform self-tests
- Emergency and non-emergency models available
- Flicker-free **dimming** controlled by IEC62386-102
- **IP65** and **IK08** rated, for demanding environments
- **Wireless mesh** built on IEC62386-104 over Thread
- High Quality Lithium batteries (**LiFePO₄**) and smart charger



WIRELESS MESH

Automatically test and sync data to the Cloud



DURABLE

IP65 and IK08 rated, for demanding environments



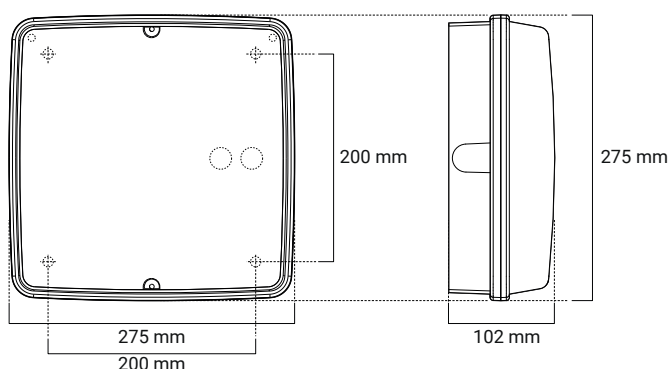
SENSOR

Inbuilt microwave & light sensor, suitable for standalone control



TUNEABLE WHITE

Tuneable white (DT8-Tc) controlled by IEC62386-209



PRODUCT RANGE LYNK

ORDER CODE	PRODUCT NUMBER	SKU	QTY
EV-QUADRO-PRO-LK Ektor Lynk Quadro LED bunker IP65 w/wireless - PRO	9336462179376	17937	5
EV-QUADRO-EM-PRO-LK Ektor Lynk Quadro LED Emergency bunker IP65 w/wireless - PRO	9336462179383	17938	5
EV-QUADRO-PRO-S-LK Ektor Lynk Quadro LED bunker IP65 w/corridor function sensor w/wireless - PRO	9336462179390	17939	5
EV-QUADRO-EM-PRO-S-LK Ektor Lynk Quadro LED Emergency bunker IP65 w/corridor function sensor w/wireless - PRO	9336462179406	17940	5

GENERAL FEATURES

- **Wireless** meshing system
- Power monitoring (DT51) reported over IEC62386-252
- Tuneable white (DT8-Tc) controlled by IEC62386-209
- Flicker-free dimming controlled by IEC62386-102
- Vandal-proof (IK08) and weatherproof (IP65)

EMERGENCY MODELS (-EM)

- Fully compliant (AS/NZS 2293.3)
- Soft-start charger to reduce building load
- High Quality Lithium battery (LiFePO₄) and smart charger

SENSOR MODELS (-S)

- Microwave sensor suitable for DALI-2 supporting IEC 62386-303
- Light level sensor suitable for DALI-2 supporting IEC 62386-304
- IR remote controllable, custom configurations
- Corridor mode function in standalone operation

BUILT TO LAST

- Long life electronics
- LED Lifetime 100,000 hours (L80/B20)
- 10 Years Product Design Life – 100,000 hours at max. ambient

SUITABLE INSTALLATION TYPES (OUT OF THE BOX)

- IEC62386 over IEC62386-104
- Wireless monitoring
- Self test (AS2293/ IEC62034)

OPERATIONAL INFORMATION

GENERAL

Voltage	240V~ 50Hz
Ambient temp.	0 to 40°C
Class	2
Wiring	Terminal block (1-16 mm □)
Mounting type	Surface
Wireless	IEC62386-104 over Thread
IP rating	IP65
IK rating	IK08
CRI	80
Lamp power	27 W
Lumens	3000 lm
Colour temp.	3000 to 6000K

EMERGENCY

Emergency lamp power	1.5 W		
Rated duration	90 / 120 min	Classification	D32

BATTERY

BATTERY		CHARGE	
Type	LiFePO ₄	Type	Smart charge
Voltage	6.4 V	Time	16 Hours
Codes	01302	Operation	Multi-state

CONSTRUCTION

Diffuser	PC Prismatic, clear	Body	PC
Gear tray	Powder coated steel		

COMPLIANCE

Standards	AS/NZS 60598.2.22	IEC 62386-104
	AS/NZS 2293.3	IEC 62386-102
	IEC 60598-2-22	IEC 62386-202
	IEC 62034	IEC 62386-207
	CISPR 15	IEC 62386-209
		IEC 62386-252

NOTE: For more information on the chemical resistance of our polycarbonate or our compliance documentation, please see our website.

ACCESSORY RANGE

ORDER CODE	DESCRIPTION
EV-1500MAH-6.4V-LIFEPO4	1500mAh 6.4V 2 Cell LiFePO ₄ Battery

ektor.com.au
E: sales@evolt.com.au
 P:1300 4EVOLT (438 658)

evolt
 the electrical evolution

Ektor is dedicated to continuous product improvement. Datasheet is subject to change without notice, E&OE. Images are for illustrative purposes only.