

LED FIRE BASIC



CORE



Last updated: 4 November 2020_V3.0

EV-LED FIRE-BASIC

FEATURES

- Long life electronics
- Low energy consumption
- Emergency output **189 lm**
- Fully compliant (**AS/NZS 2293**)
- High ambient temperature rating (**40°C**)
- High Quality Lithium battery (**LiFePO₄**)

D32 CLASSIFICATION

Light coverage for emergency light



OUTER RING

Includes outer ring to suit hole sizes up to 130 mm



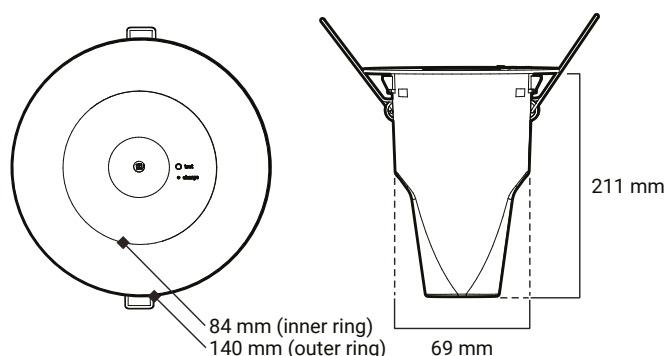
SINGLE POINT UNIT

Ektor products work as SPUs out of the box



SELF-CONTAINED

Fully self-contained inbuilt battery and control gear



PRODUCT RANGE

ORDER CODE	PRODUCT NUMBER	SKU	QTY
EV-LED FIRE-BASIC	9336462111901	11190	4
Ledfire Basic Emergency Luminaire			

GENERAL FEATURES

- Compact design
- Non-maintained operation
- Fully compliant (AS/NZS 2293)
- Low energy consumption (avg. 0.45W)
- Includes outer ring to suit hole sizes up to 130 mm

BUILT TO LAST

- Long life electronics
- 5 Years Design Life – 44,000 hours at max. ambient
- High Quality Lithium battery (LiFePO₄) and smart charger

SUITABLE INSTALLATION TYPES (OUT OF THE BOX)

- Standalone (SPU)

ACCESSORY RANGE

ORDER CODE	DESCRIPTION
EV-1500MAH-3.2V-LIFEPO4	1500mAh 3.2V 1 Cell LiFePO ₄ Battery

OPERATIONAL INFORMATION

GENERAL	
Voltage	240V~ 50Hz
Ambient temp.	0 to 40°C
Class	2
IP rating	IP20
Wiring	Flex and Plug
Mounting type	Recessed

EMERGENCY	
Lamp power	1.4 W
Rated duration	90 / 120 min
Rated lumens	189 lm (2 hr)
Classification	D32

BATTERY		CHARGE	
Type	LiFePO ₄	Type	Smart charge
Voltage	3.2 V	Time	16 Hours

Codes	01307
-------	-------

CONSTRUCTION

Body	PC V2, 750 glow wire
Cut out	Ø 70 mm - inner ring Ø 75 - 130 mm - outer ring
Weight	0.25 kg net / 1.68 kg gross

COMPLIANCE

Standards	AS/NZS 60598.2.22 AS/NZS 60598.2.2 (IC-4 rated) AS/NZS 2293.3 IEC 60598-2-22 CISPR 15
-----------	---

NOTE: For more information on the chemical resistance of our polycarbonate or our compliance documentation, please see our website.

TOTAL POWER CONSUMPTION (TPC)

MAX.	AVG.
2 W	0.45 W

NOTE: Average power consumption calculated with the assumption of four emergency events per year and that the battery charger is in standby at all other times (above typical usage).

SPACING TABLE

2005

LUX	CLASSIFICATION	MOUNTING HEIGHT (M)															
		2.1	2.4	2.7	3	3.3	3.6	4	4.5	5	6	7	8	9	10	15	20
0.2	D32	15.4	16.1	16.7	17.2	17.6	18.0	18.5	19.1	19.5	20.2	20.6	20.7	20.6	20.3	14.6	