

LED FIRE



PROFESSIONAL



FEATURES

- Fully compliant (**AS/NZS 2293**)
- Average power consumption **<0.25W**
- Works as Single Point Units (**SPU**) out of the box
- Fast emergency switch-over (**<0.5s**) for high task areas
- High Quality Lithium batteries (**LiFePO₄**) and smart charger

D50 CLASSIFICATION
Light coverage for emergency light



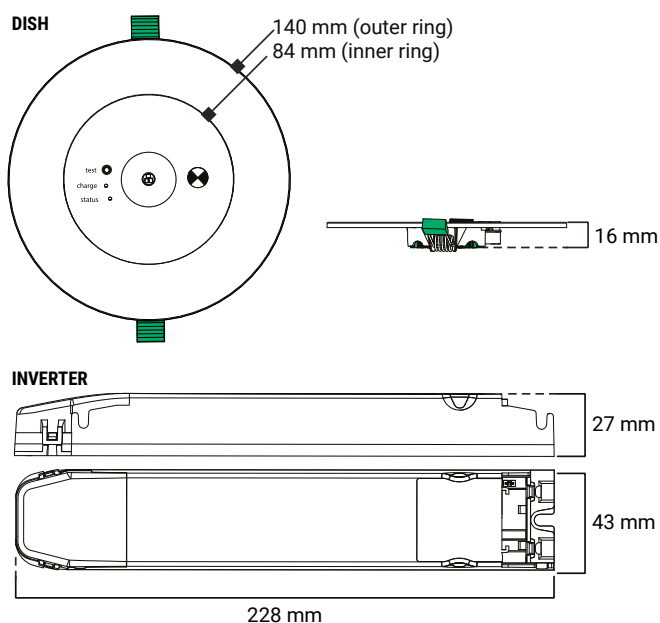
DALI CERTIFIED
Connect to a DALI system for DALI testing



SELF TEST
Commission the product to perform its own tests



ECO FRIENDLY
Using a High Quality Lithium battery (LiFePO₄)



PRODUCT RANGE

ORDER CODE	PRODUCT NUMBER	SKU	QTY
EV-LED FIRE Ledfire Emergency Luminaire	9336462016930	01693	4

GENERAL FEATURES

- Non-maintained operation
- Soft-start charger to reduce building load
- Lowest energy consumption (avg. <0.25W)
- Selectable discharge rating for hazardous areas
- Fast emergency switch-over (<0.5s) for high-task areas

BUILT TO LAST

- Long life electronics
- 10 Years Design Life – 100,000 hours at max. ambient
- High Quality Lithium battery (LiFePO₄)

SUITABLE INSTALLATION TYPES (OUT OF THE BOX)

- Standalone (SPU)
- Self test (AS2293/ IEC62034)
- DALI (IEC62386)
- Ektor wired monitored system

ACCESSORY RANGE

ORDER CODE	DESCRIPTION
EV-LED FIRE-PRO-RD	Ledfire Replacement dish
EV-1500MAH-6.4V-LIFEPO4	1500mAh 6.4V 2 Cell LiFePO ₄ Battery
EV-CMS-2.4M-5PIN	CMS 5 Pin Plug Set, 2.4M
EV-WAGO-2.4M-F&P	WAGO Plug 5-P Blue 51110475, 2.4M
EV-WIELAND-2.4M-F&P	Wieland Plug GST1815S B1 ZR1 S PB02, 2.4M
EV-WIREDBYCLICK-2.4M-F&P	Wire By Click 5-Pin Lead L1025/5, 2.4M
EV-CMS-2.4M-6PIN	CMS 6 Pin Plug Set, 2.4M

OPERATIONAL INFORMATION

GENERAL	
Voltage	240V~ 50Hz
Ambient temp.	0 to 40°C
Class	2
IP rating	IP20
Wiring	Flex and Plug
Mounting type	Recessed

EMERGENCY	
Rated duration	90 / 120 min (1 / 3 / 4 / 8 hours, selectable)
Rated lumens	260 lm (2 hr)
Lamp power	2.7W
Classification	D50

BATTERY		CHARGE	
Type	LiFePO ₄	Type	Smart charge
Voltage	6.4 V	Time	16 Hours
Codes	01302	Operation	Adjustable

CONSTRUCTION	
Inverter	PC V0, 850 glow wire
Dish	PC V2, 750 glow wire
Cut out	Ø 70 mm - inner ring Ø 75 - 130 mm - outer ring
Weight	0.45 kg net / 2.78 kg gross

COMPLIANCE			
Standards	AS/NZS 60598.2.22	IEC 62386-102	IEC 62034
	AS/NZS 2293.3	IEC 62386-202	CISPR 15
	IEC 60598-2-22		

NOTE: For more information on the chemical resistance of our polycarbonate or our compliance documentation, please see our website.

TOTAL POWER CONSUMPTION (TPC)

MAX.	AVG.
3 W	< 0.25 W

NOTE: Average power consumption calculated with the assumption of four emergency events per year and that the battery charger is in standby at all other times (above typical usage).

EMERGENCY PERFORMANCE

HOUR	1	2	3	4	8	CB
Classification	D50	D50	D20	D16	N/A	N/A

SPACING TABLE (D50 - 0.2 LUX)

MOUNTING HEIGHT (M)								2005
2.1	2.4	2.7	3	3.3	3.6	4	4.5	
18.0	18.7	19.4	20.1	20.7	21.2	21.8	22.5	
5	6	7	8	9	10	15	20	
23.2	24.2	24.9	25.4	25.7	25.9	23.7	15.2	

ektor.com.au
E: sales@evolt.com.au
P: 1300 4EVOLT (438 658)

evolt
the electrical evolution

Ektor is dedicated to continuous product improvement. Datasheet is subject to change without notice, E&OE. Images are for illustrative purposes only.